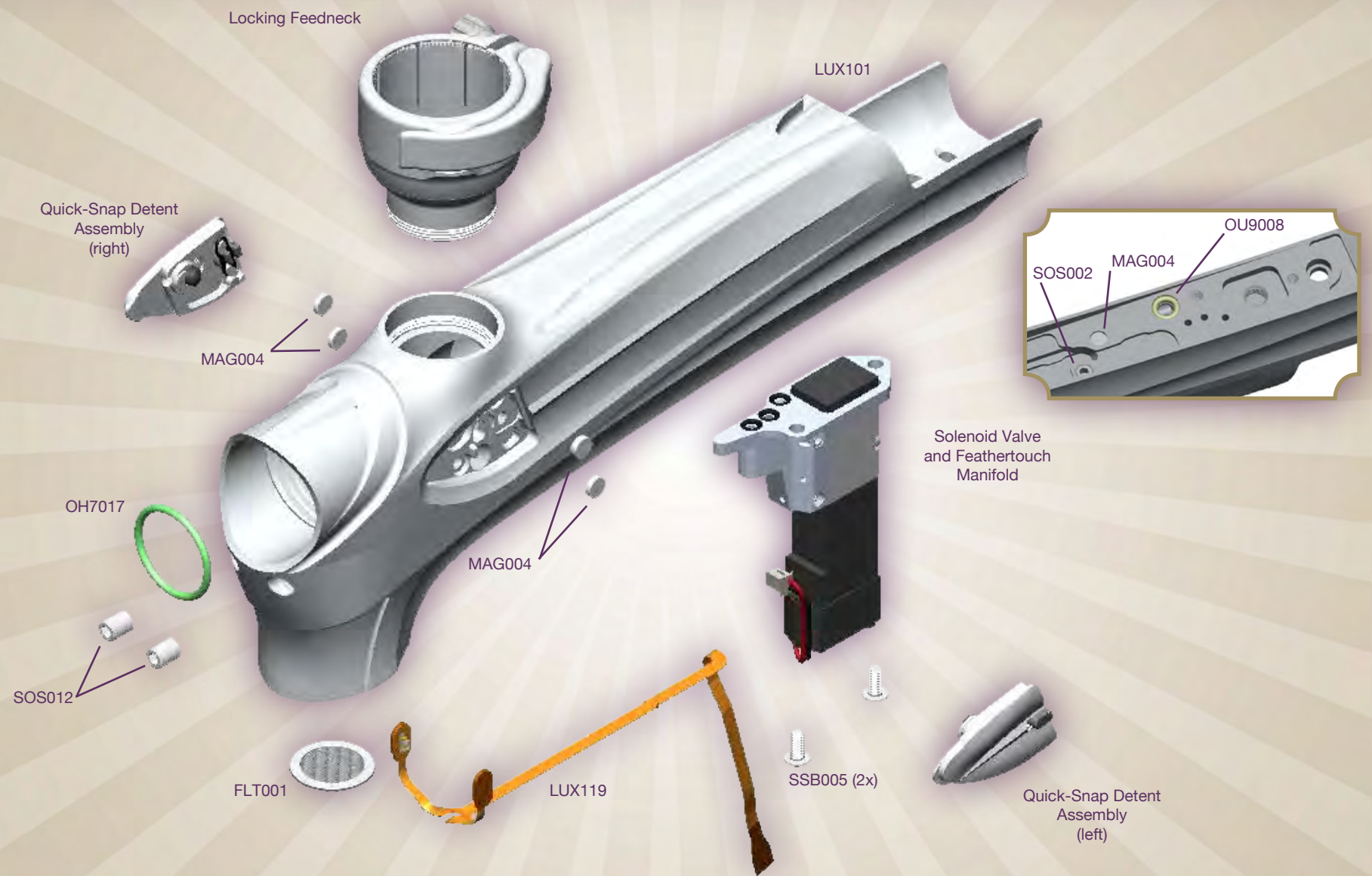


LUXE[®]

MODEL 2.0 PARTS GUIDE



BODY



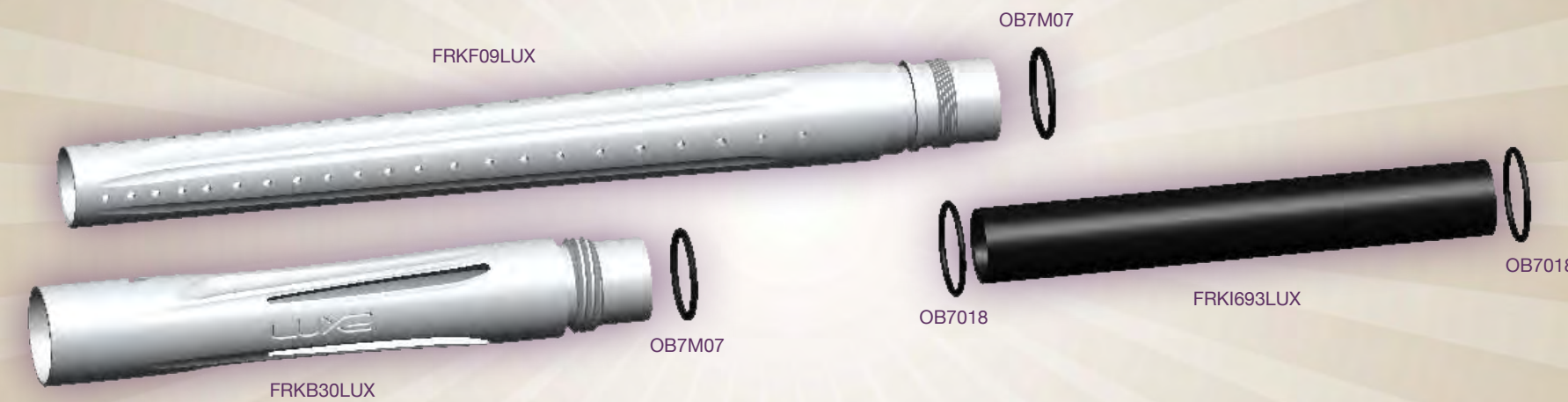
SOLENOID VALVE



DETENT ASSEMBLY



BARREL



LOCKING FEEDNECK



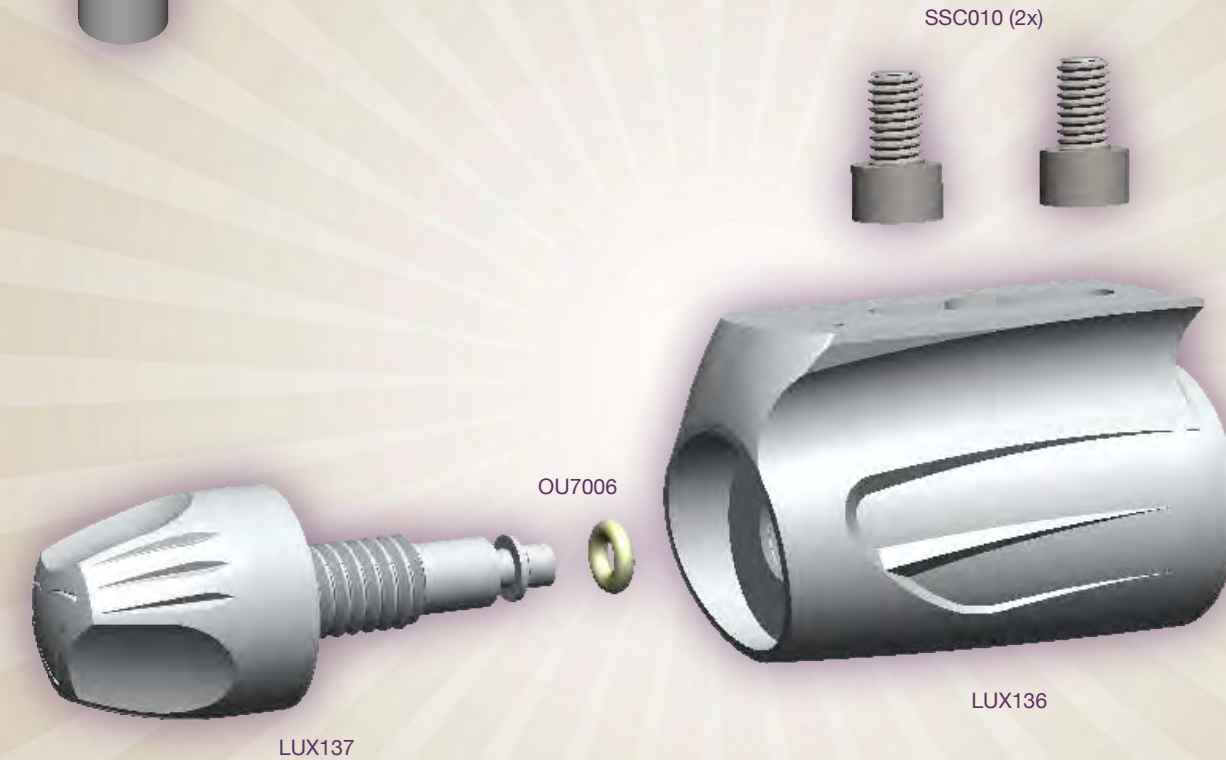
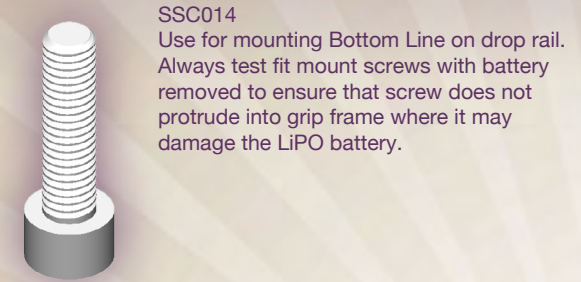
GRIP FRAME



TRIGGER



BOTTOM LINE



BOLT



FIRING CHAMBER



BOLT GUIDE



QUICK-STRIP



REGULATOR

